

# CHALCO ELEVEN LTD

"CHALCO HOUSE"

MARYCULTER

ABERDEEN

AB12 5GQ

TEL (44)-(0)-1224 733321

E-Mail: ce@chalco.co.uk

FAX (44)-(0)-1224 733685

[www.chalco.co.uk](http://www.chalco.co.uk)

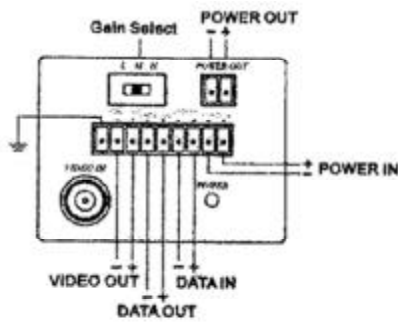


Chalco Eleven introduces its next generation Line Drivers. With advanced surface mount micro technology we have developed compact processor controlled Line Drivers/Video Receivers which require very little or no set-up procedures.

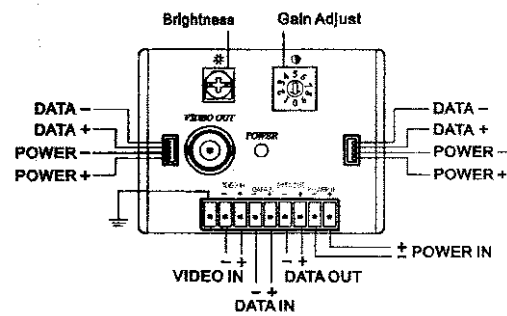
The Video Receiver corrects for any shift created by the unbalance of the twisted pair and allows further final adjustments for the contrast and luminance. Visual indicators allow the user to see that the sync is received with the video information.

The two Units allow the user to take a composite video signal from a coax on to a twisted pair. For further details see table below.

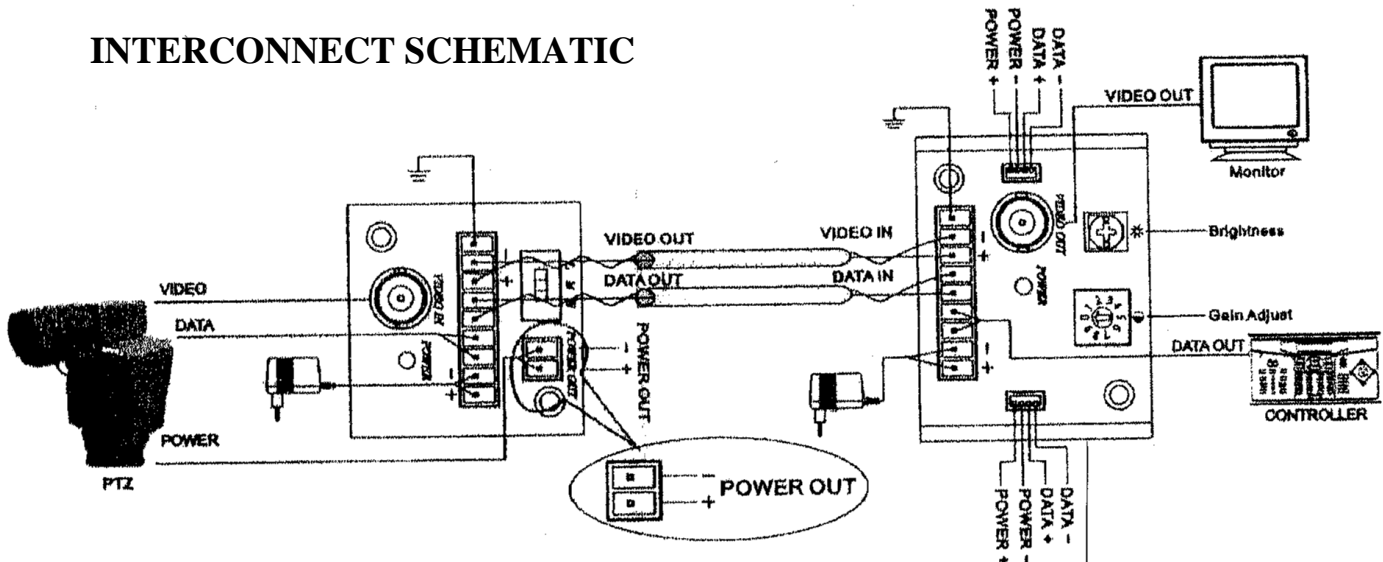
## LINE DRIVER CE-LD004



## VIDEO RECEIVER CE-VR005



## INTERCONNECT SCHEMATIC



VIDEO GAIN ADJUSTING (Receiver)		RJ - 45 Jack		
Press 1 0-300M	Press 4 900-1200M	PIN	Color	Function
Press 2 300-600M	Press 5 1200-1500M	1	W-O	D1-
Press 3 600-900M		2	O	D1+
		3	W-G	Audio +
		4	BL	D2+
		5	W-BL	D2-
		6	G	Audio -
		7	W-BR	Video +
		8	BR	Video -