

CHALCO ELEVEN LTD

“CHALCO HOUSE”

MARYCULTER

ABERDEEN

AB12 5GQ

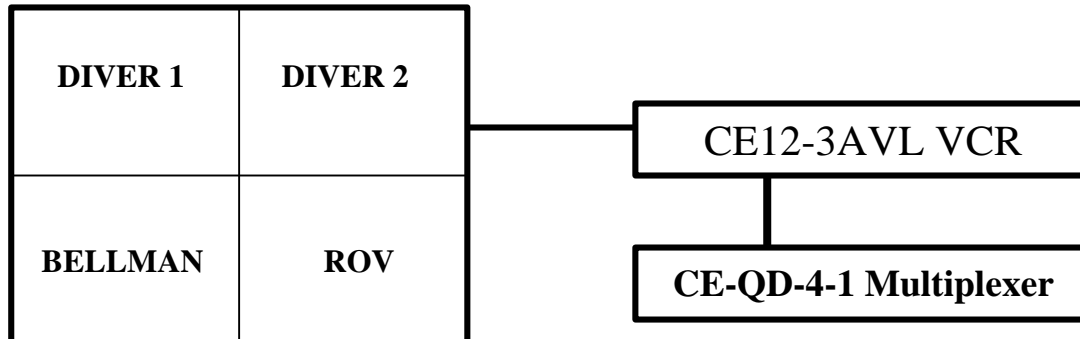


TEL (44)-(0)-1224 733321

FAX (44)-(0)-1224 733685

E-Mail: ce@chalco.co.uk

www.chalco.co.uk



DIVERS AUDIO AND VIDEO LOGGER

Chalco Eleven has produced a revolutionary Divers Audio and Video Logger. This unique System captures audio and video for 12 hours in virtually real time. The technology around Diving Complexes is moving rapidly. To safeguard the Supervisor/Diver and related Operators, Chalco Eleven has developed an Audio and Video Logger which can record four video colour images in real time along with full audio of all the Divers in any one Bell and the Operators verbal instructions/communication to and from the Divers on a standard 3 hour VHS tape. The Dive Logger is situated in Dive Control; one for each Bell and consists of two vital parts; CE12-3AVL VCR and a CE-QD-4-1 Multiplexer. However, a Colour Monitor allows the user to confirm the recording. The Dive Logger's prime function is to record Diver 1 and Diver 2 Hat Mount Cameras, Bell Internal Camera and ROV along with all communication to and from the Diver and the Supervisor or any third party on the conference line.

The Dive Logger relies on the Supervisor. He logs on to the System when he first comes on shift. He does this by inserting a new tape in to the Dive Logger and carries out the Bell checks. The Dive Logger will automatically print time and date on the VCR. The tape will run for a minimum of 12 hours and if the Dive is still continuing but the tape has come to an end, an alarm will be heard to notify the Supervisor to change tape.

The video tapes of past dives will be kept for a minimum of 7 days before cycling recording which allows the operator to view any incidence occurring in Dive Control over the past 7 days. The VCR has other unique features ie if the power fails, the VCR will log the time and date of the power failure and the duration.

These records will be held indefinitely until cleared. Also, it has a facility whereby the Supervisor can lock all the external controls when in record mode so that accidental tampering is totally eliminated.

With this type of System, all four videos are displayed simultaneously on a standard colour monitor of any size. The real time sound is heard so that any lay individual can view or hear the sequences taking place. This is achieved by splitting the screen in to 4 quadrants – each quadrant showing the appropriate video. The sound is recorded simultaneously along with time and date imprint.